

## Qoopers series course

Section 2

《The Dozer A》

# Curriculum objectives

## **Knowledge and skill**

1. Know electrical machinery, understand the function of electrical machinery;
2. Finish structure building of the dozer;

## **Process and methods**

1. Through practice building, know the usage of different components, and train students' operation ability;

## **Emotional attitude and values**

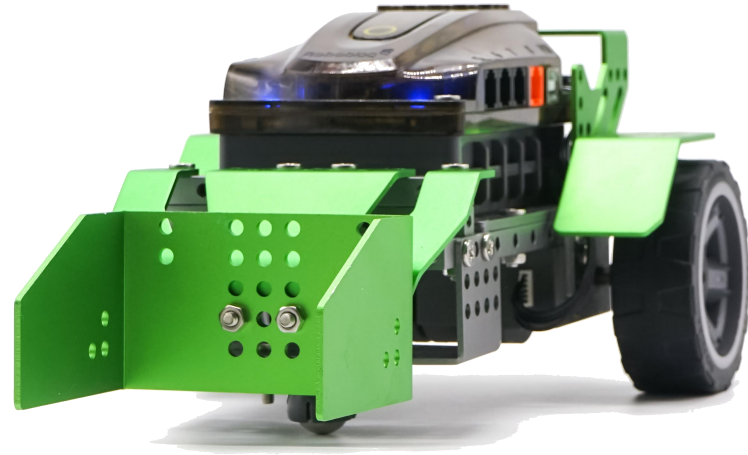
1. Train students spirit to challenge bravely by task guidance.

# Curriculum introduction

Qoopers' first problem that need to solve is bumpy roads, because terrain and landform are complex and changeable on Metal Block planet, it block Qoopers members ' action seriously.

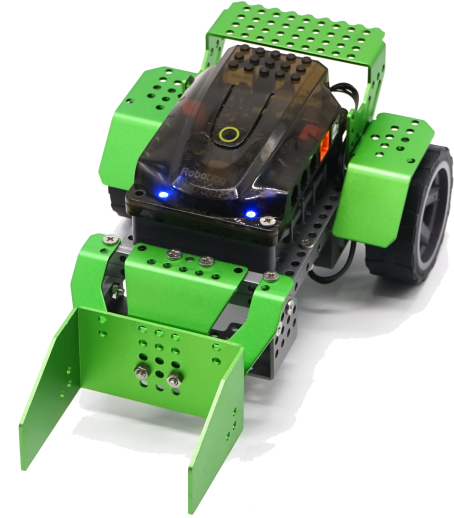
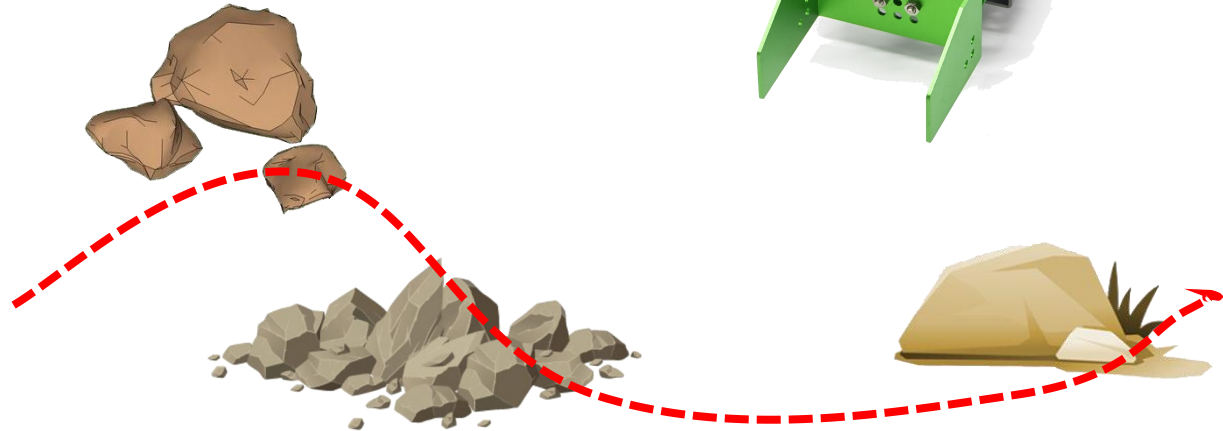
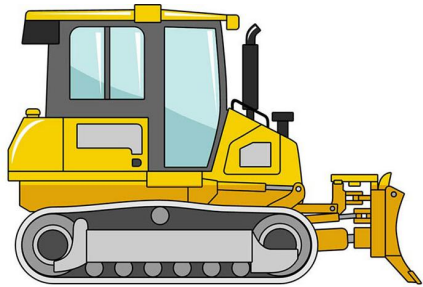


Each member of Qoopers has their own speciality, they help team bravely when face different task, so the task of opening roads hand to the dozer that is good at reclaim.



# Curriculum introduction

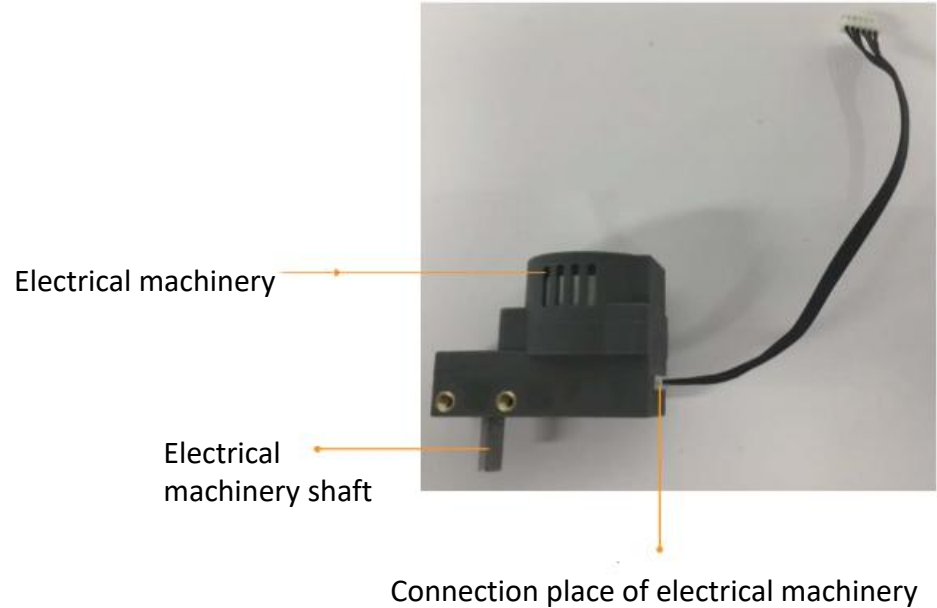
The dozer installed "U shape" push soil device, two electrical machineries provide too strong power to smooth blocks in roads that high in here and low in there.



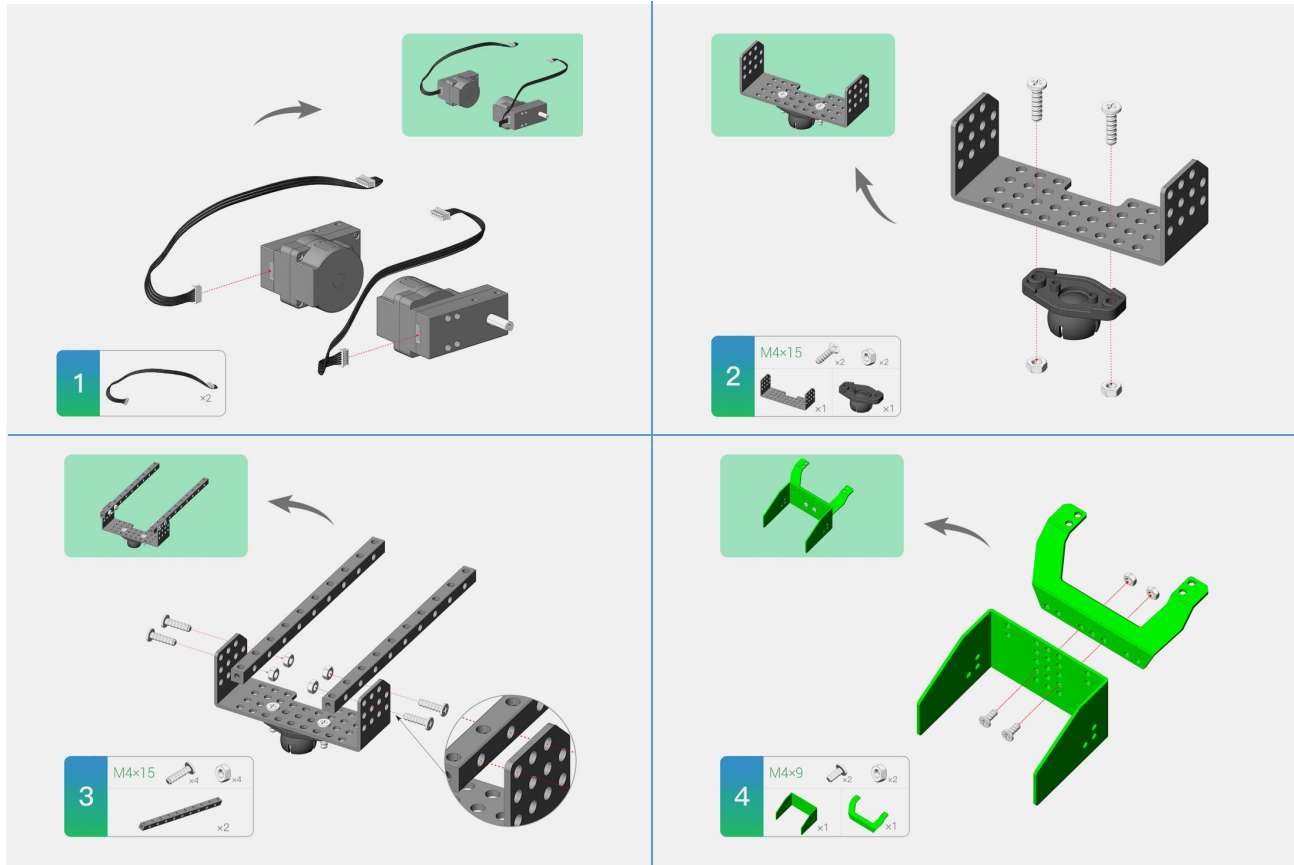
# Knowledge explanation

Know electrical machinery:  
electrical machinery is device that provide power for robot, Qoopers' electrical machinery is not directly connect to battery, it need to electrical machinery line to connect with mainboard M1/M2 port, that is because electrical machinery provide electric and transfer signal by mainboard.

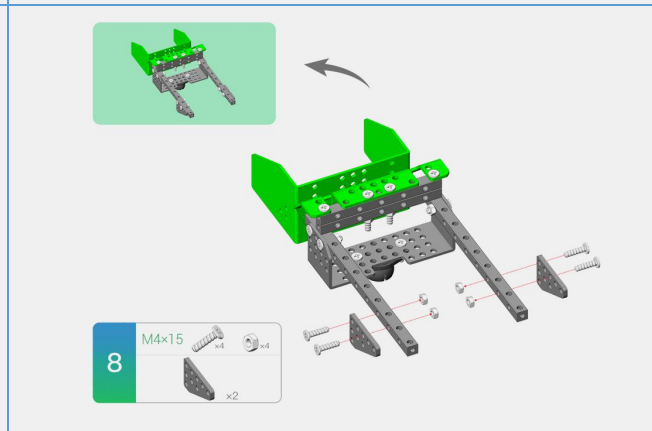
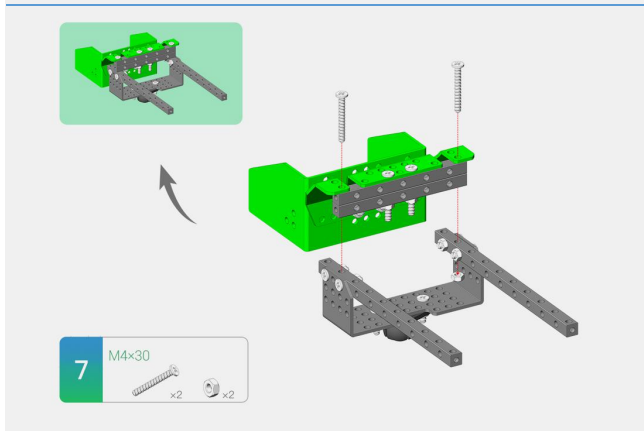
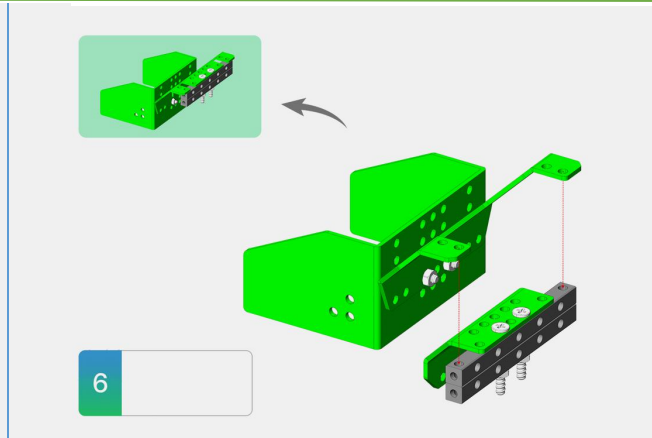
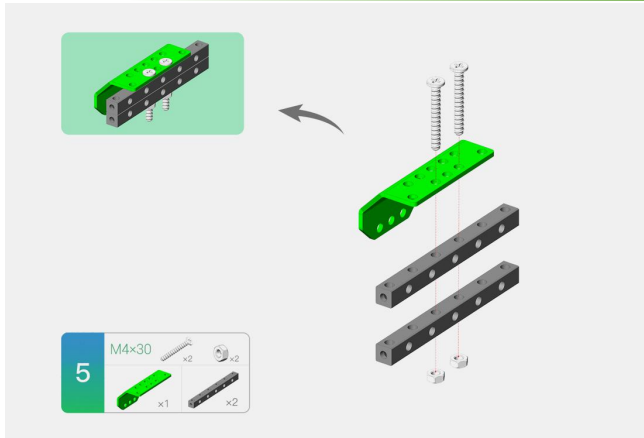
It need to ensure that electrical machinery connection line connect with main control panel in the process of structure building.



# Structure building

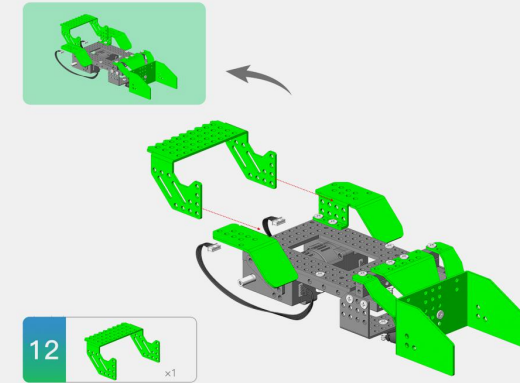
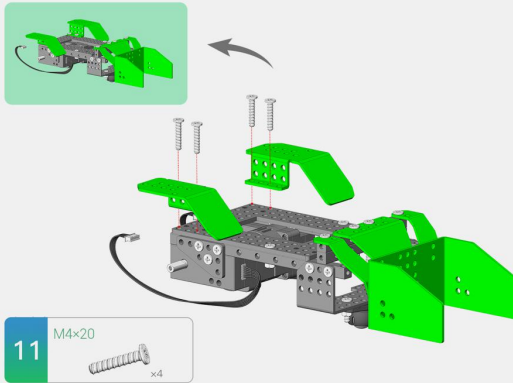
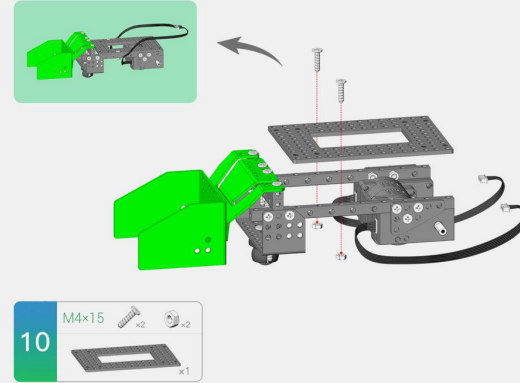
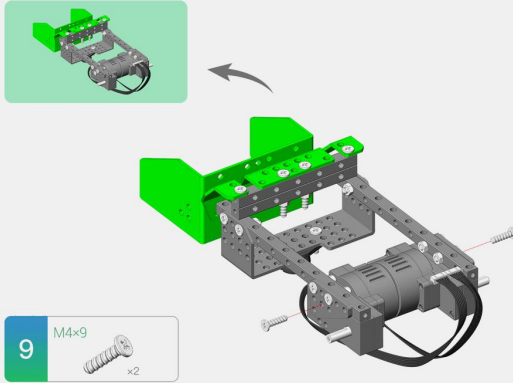


# Structure building

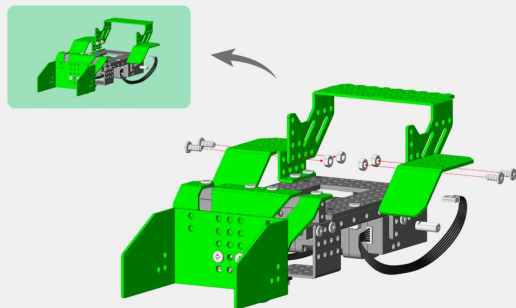






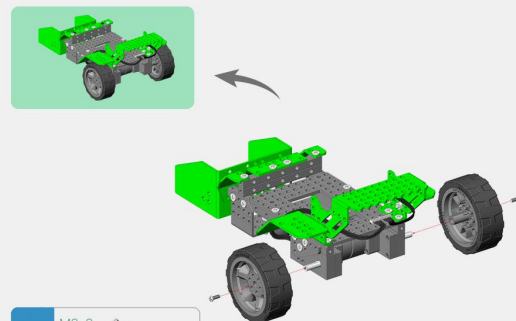
# Structure building



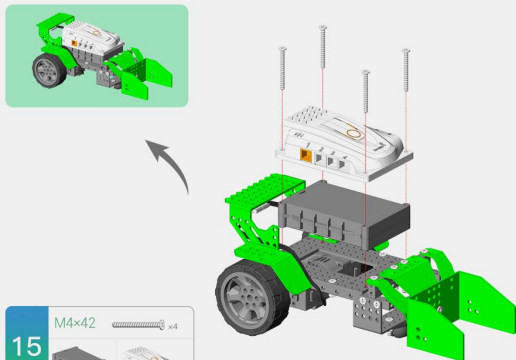
# Structure building



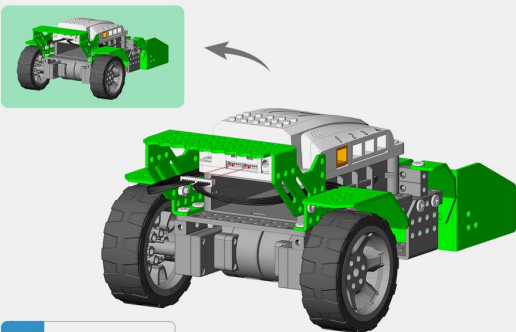
13 M4x9  
 x4  x4



14 M3x8  
 x2  x2

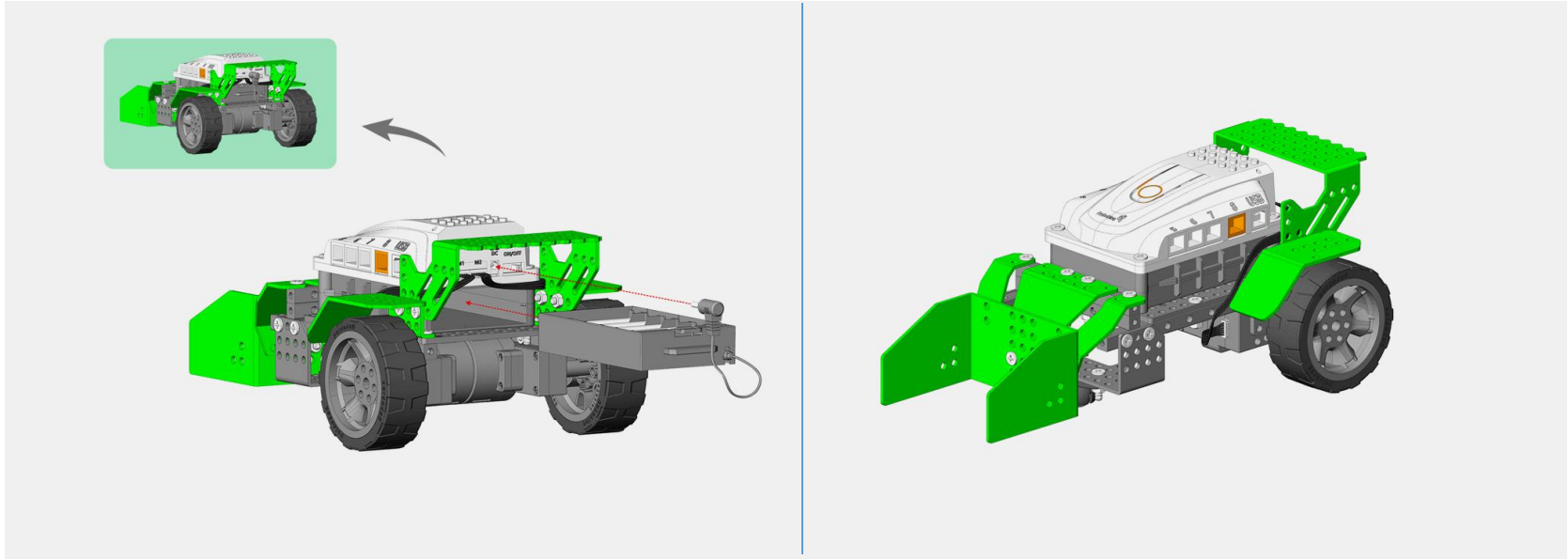


15 M4x42  
 x4  x1



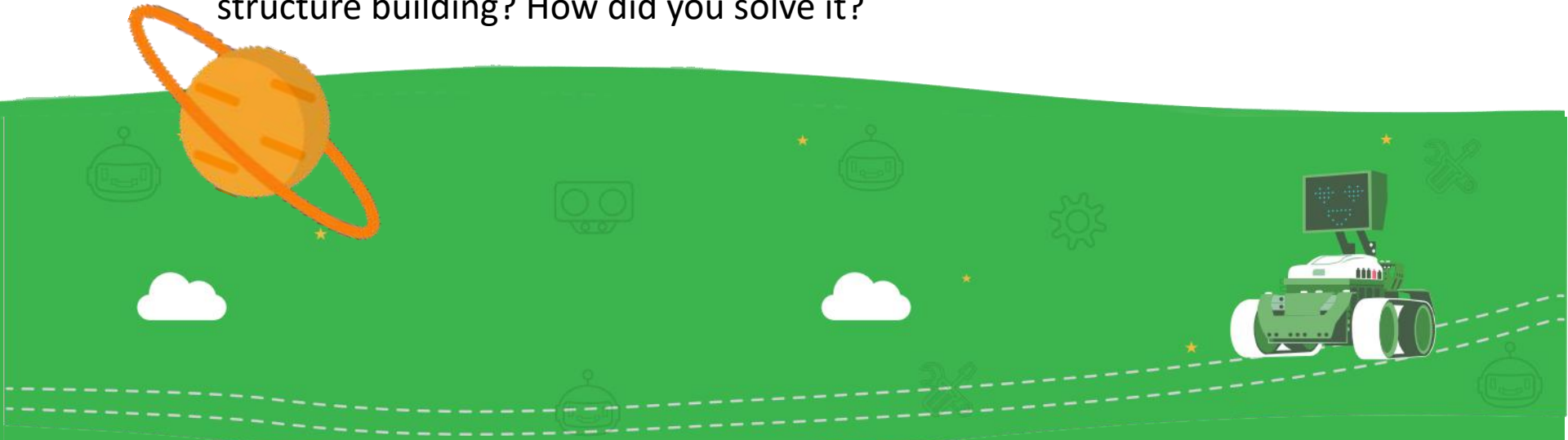
16

# Structure building



# Summary and rethink

1. Why electrical machinery can turn? what thing provide electrical source and transfer signal for it?
2. What character does aperture of component have in the process of structure building?
3. What kind of problems do you meet in the process of structure building? How did you solve it?



The copyright of this material belongs to our company. Unauthorized dissemination or plagiarism will be investigated and legal responsibility will be affixed. The company has the final right of interpretation.

**Company:** Robobloq Co., Ltd

**Address:** Room 208, Building B53, Zhongchuang Industrial Park, Liuxian Avenue, Taoyuan Street, Nanshan District of Shenzhen

**E-mail:** [hello@robobloq.com](mailto:hello@robobloq.com)

**Telephone:** + 86-0755 -26926929

**Website:** <http://www.robobloq.com>